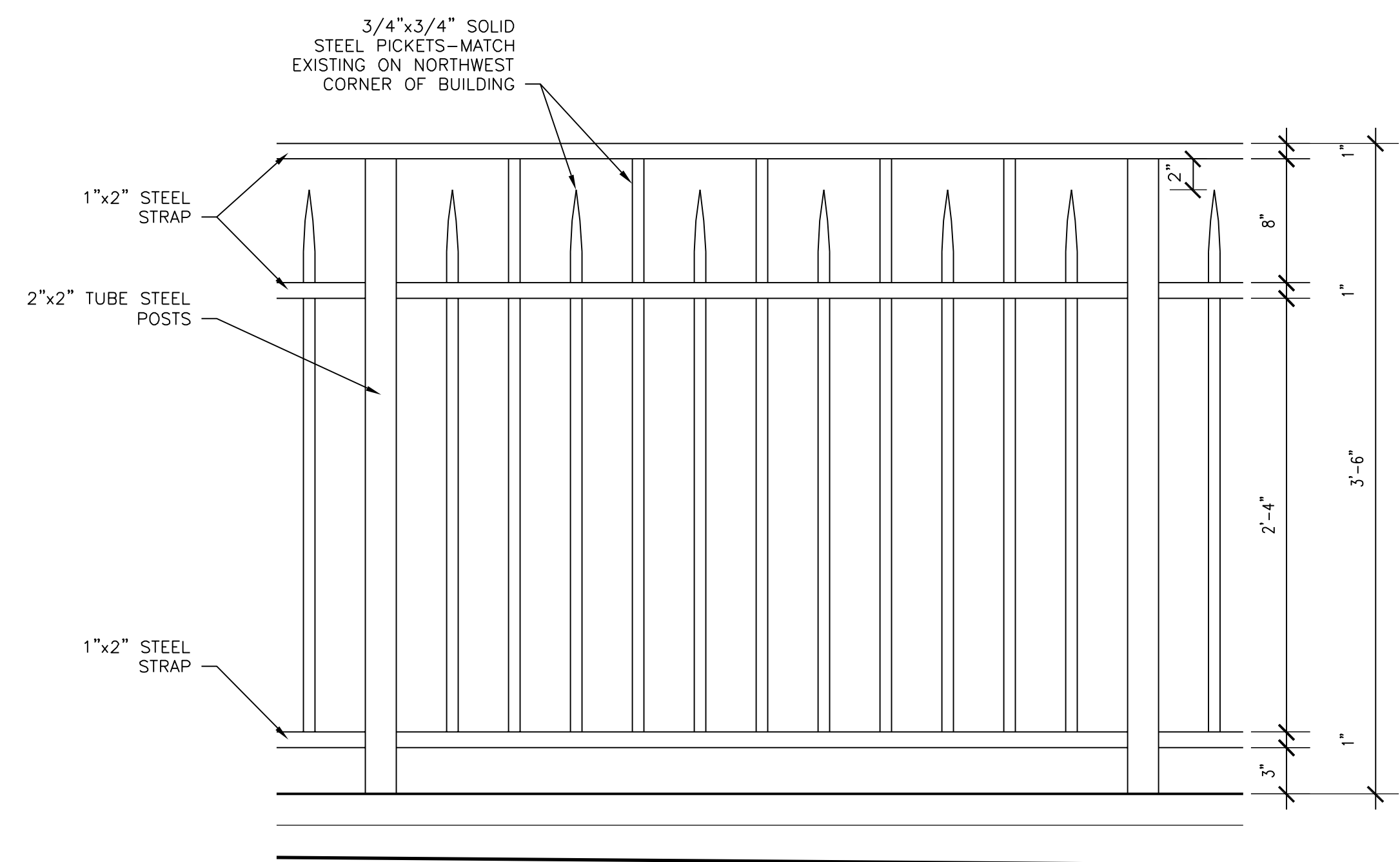
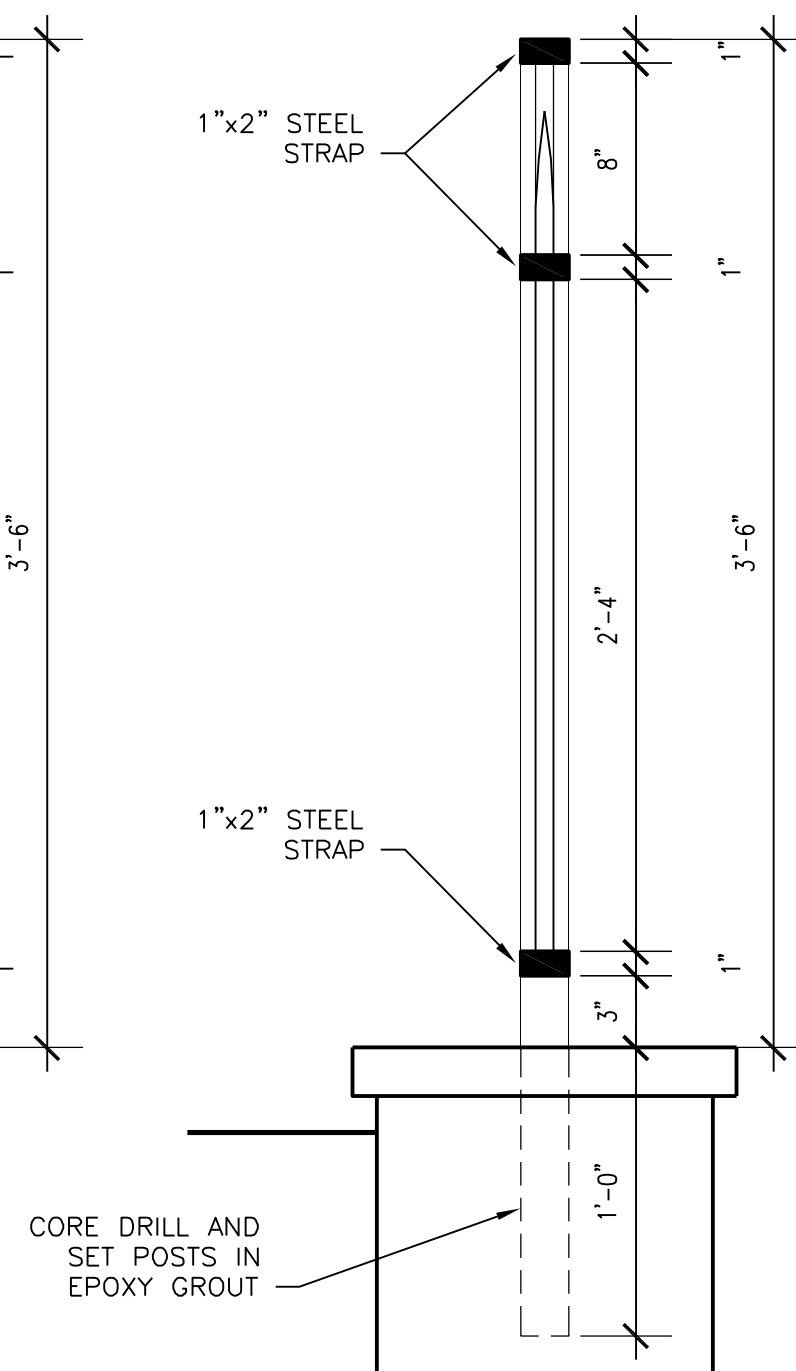


1 PARTIAL EAST ELEVATION
1/2" = 1'-0"

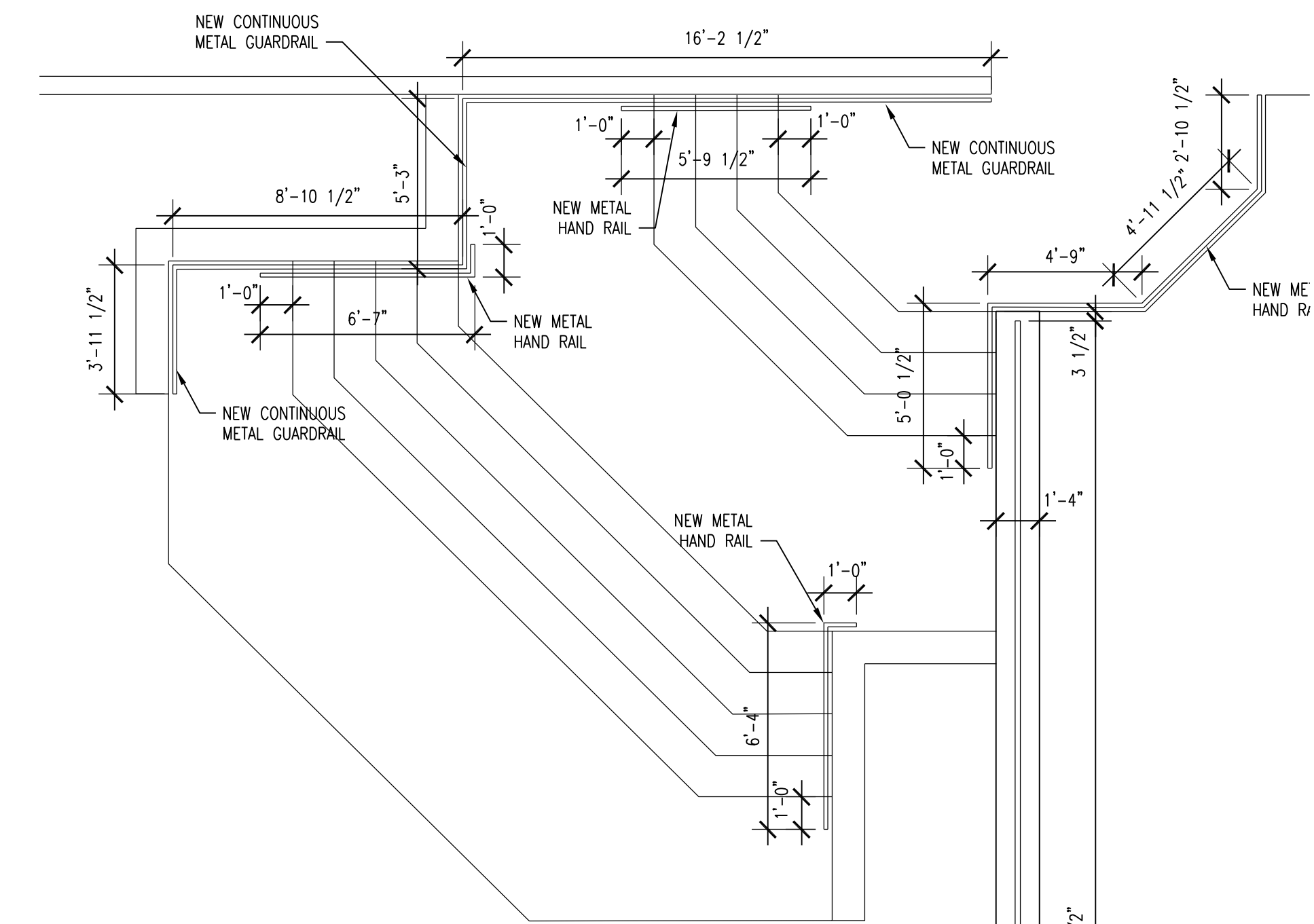


ELEVATION

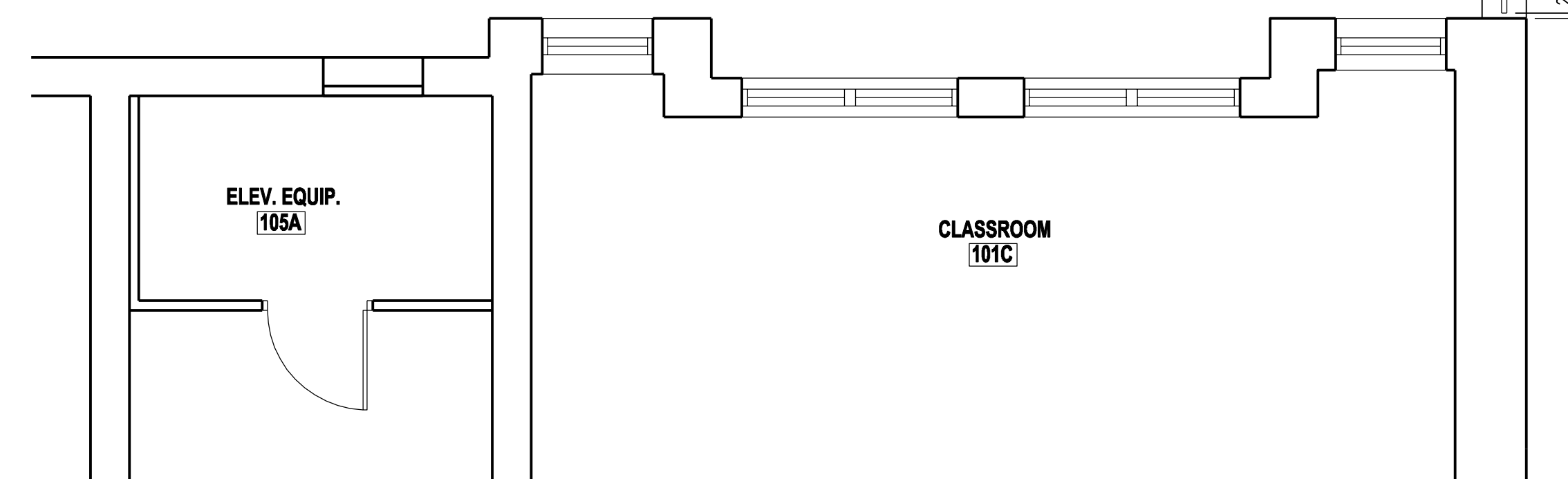


SECTION

2 GUARDRAIL DETAIL
1/2" = 1'-0"

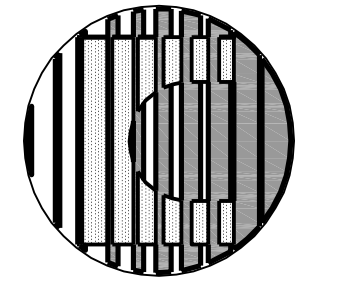


NOTE:
FIELD VERIFY ALL
DIMENSIONS PRIOR
TO FABRICATION



PARTIAL FIRST FLOOR PLAN
1/4" = 1'-0"

MICHAEL H. COLLINS, ARCHITECTS AIA
THE VAN DYKE LOFTS
110 SOUTH WEBER, SUITE 101
COLORADO SPRINGS, CO 80903
719-471-3250



NO.	DESCRIPTION	DATE
1	CONSTRUCTION DOCUMENTS 08-31-10	

THE COLORADO COLLEGE
COSSITT HALL - NORTHEAST GUARDRAIL
906 NORTH CASCADE
COLORADO SPRINGS, COLORADO

SHEET NO.

A1

Z:\1000\mhp\A1-1ST FLOOR COSSITT RAILING.dwg, 8/12/2010 2:21:38 PM

TERRACE LAYOUT - CONCEPT C

1"=10'

